



We Power Your World!

Owner's Manual of Generator for

GPD1500



Green-Power America, LLC

Products Service Information

Green-Power America LLC thanks you for choosing a Green-Power America LLC product.

Please register your product within 10 days of purchase to ensure that you receive optimal service. Always keep copy of your original receipt.

By registering your product, you are protected:

1. You have a record of the product purchase,
2. Customer Service can Better serve you on Warranty related issues,
3. Green Power America will be able to contact you in the unlikely event that a product recall notification is necessary.

You can register your product in one of two ways as follows:

Option 1: Go to the Green Power America website at www.green-poweramerica.com/service and follow the instructions to register online.

Option 2: Fill out the form on the Warranty Card included in the box, and return via standard mail to Green Power America at 840 9th Street Suite H, Upland CA 91786. Please note that postage is required to mail the registration form back to Green Power America.

If you still have any questions regarding the usage or operation of your generator after you have carefully read the manual, or if you have any quality issues during operation, please call our toll-free service number shown below:

For any issues related to LCT Engine, the parts include recoil starter, air filter, spark plug, and all the other parts fixed to the engine, please go to www.lctusa.com (LCT website) or call toll free:

800-558-5402

For any issues related to the remaining parts except for the LCT Engine, including alternator, muffler, AVR, wheel kit, fuel tank, parts on the control panel, please call toll free:

888-834-4218

GASOLINE GENERATOR

CONTENTS

SAFETY PRECAUTIONS	2
CONTROL FUNCTION	3
PRE-OPERATION CHECKS	5
OPERATION	6
OIL SENSER	9
PERIODIC MAINTENANCE	10
TROUBLE SHOOTING	12
STORAGE	14
COMPLIANCE	14
SPECIFICATIONS	15
SYMBO	16
WARRANTY	17
PARTS LISTING	21



WARNING! READ AND UNDERSTAND ALL SAFETY PRECAUTIONS IN THIS MANUAL BEFORE OPERATING. FAILURE TO COMPLY WITH INSTRUCTIONS IN THIS MANUAL COULD RESULT IN PERSONAL INJURY, PROPERTY DAMAGE, AND/ OR VOIDING OF YOUR WARRANTY. GREEN-POWER AMERICA, LLC (HEREINAFTER IN SHORT “GREEN-POWER” OR “GPA”) WILL NOT BE LIABLE FOR ANY DAMAGE BECAUSE OF FAILURE TO FOLLOW THESE INSTRUCTIONS.

WARNING:

PLEASE READ AND UNDERSTAND THIS MANUAL COMPLETELY BEFORE OPERATING.

1. SAFETY PRECAUTIONS

1) EXHAUST FUMES ARE POISONOUS

- Never operate the machine in a closed area or it may cause unconsciousness and death within a short time. Operate the engine in a well ventilated area.

2) FUEL IS HIGHLY FLAMMABLE AND POISONOUS

- Always turn off the engine when refueling.
Never refuel while smoking or in the vicinity of an open flame.
Take care not to spill any fuel on the engine or muffler when refueling.
- If you swallow any fuel, inhale fuel vapor, or allow any to get in your eyes, see your doctor immediately. If any fuel spills on your skin or clothing, immediately wash with soap and water and change your clothes.
- When operating or transporting the machine, be sure it is kept upright. If it tilts, fuel may leak from the carburetor or fuel tank.

3) ENGINE AND MUFFLER MAY BE HOT

- Put the machine in a place where pedestrians or children are not likely to touch the machine.
- Avoid placing any flammable materials near the exhaust outlet during operation.
- Keep the machine away at least 1 m (3 ft) from buildings or other equipment, or the engine may overheat.
- Avoid operating the engine with a dust cover.

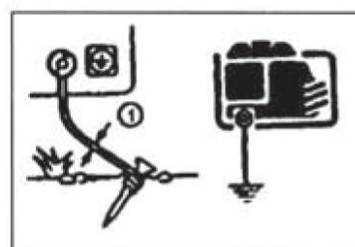
GASOLINE GENERATOR

4) ELECTRIC SHOCK PREVENTION

- Never operate the engine in rain or snow.
- Never touch the machine with wet hands or electrical shock will occur.
- Be sure to ground (earth) the generator.

NOTE:

- Use ground (earth) lead of sufficient current capacity. Ground (earth) lead Diameter : 0.12mm(0.005 in)
- Some types of generators have no ground bolts, so do not operate the machine in rain or snow!
While the machine is operating, don't touch it with wet hands!



5) CONNECTION NOTES

- Avoid connecting the generator to commercial power outlet.
- Avoid connecting the generator in parallel with any other generator.

6) BATTERY

- No smoking while handling the battery.
- The battery emits flammable hydrogen gas, which can explode if exposed to electric arcing or open flame.
- Keep the area well-ventilated and keep open flames/sparks away when handling the battery.

2. CONTROL FUNCTION

1) ENGINE SWITCH

The engine switch controls the ignition system.

OWNER'S MANUAL

“ON” (“ENGINE SWITCH” on “RUN” position)
Ignition circuit is switched on.
The engine can be started.

“OFF”(“ENGINE SWITCH” on “STOP” position)
Ignition circuit is switched off.
The engine will not run.

ENGINE SWITCH



2) AC AND DC PROTECTOR

The AC or DC breaker turns off automatically when the load exceeds the generator rated output.

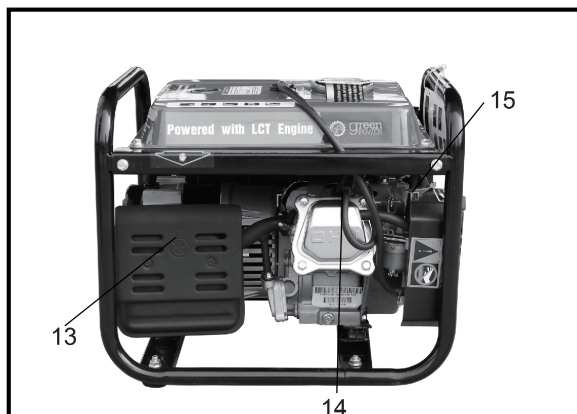
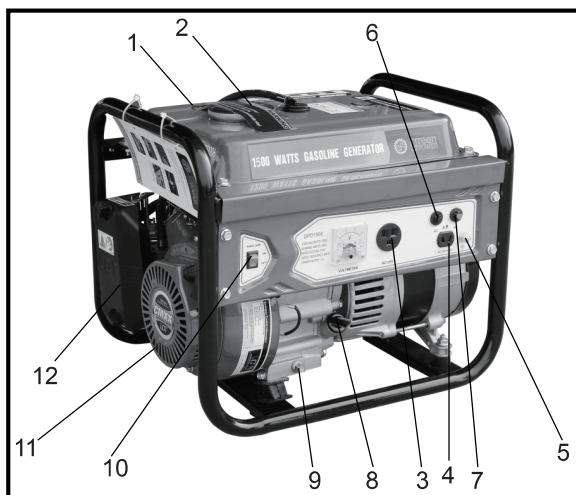
CAUTION:

AC PROTECTOR

Reduce the load to within specified generator rated output if the protector turn off !



3) COMPONENTS



- 1. Fuel tank
- 2. Fuel tank cap
- 3. AC socket
- 4. DC socket
- 5. Ground terminal
- 6. AC protector

- 7. DC protector
- 8. Oil filter cap
- 9. Oil drain plug
- 10. Engine switch
- 11. Starter
- 12. Air filter cover
- 13. Muffler
- 14. Spark plug
- 15. Choke lever

1500 WATT GENERATOR

3. PRE-OPERATION CHECKS

NOTE:

Pre-OPERATION checks should be made each time the generator is used.

1) CHECK ENGINE FUEL

- Check fuel level with the tank cap removed.
- If fuel level is low, refill with unleaded automotive gasoline.
- Be sure to use the fuel filter on the fuel filter neck.
- Recommended fuel: unleaded gasoline

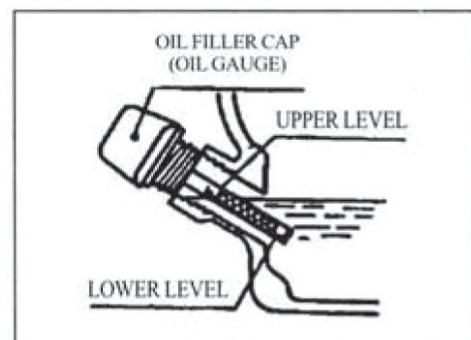


WARNING:

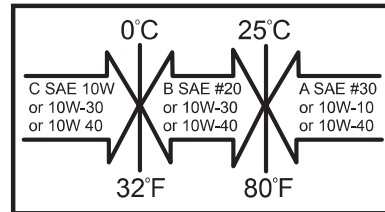
- DO NOT refill tank while engine is running or hot.
- Close fuel cock before refueling with fuel.
- Be careful not to admit dust, dirt, water or other foreign objects into fuel.
- Wipe off spilled fuel thoroughly before starting engine.
- Keep open flames away.

2) CHECK ENGINE OIL

- Before checking or refilling oil, be sure the generator is put on a stable and level surface with engine stopped.
- Fuel level is below the lower level line, refill with suitable oil to upper level line. Do not screw in the oil filler cap when checking oil level.



- Recommended engine oil: SAE 30
10W-30



3) GROUND (Earth)

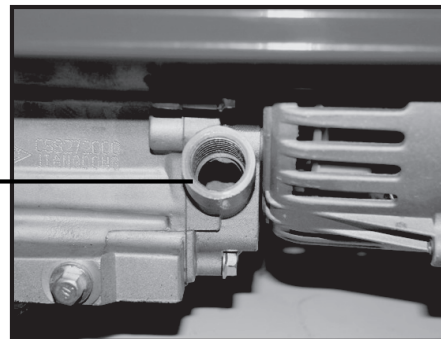
Make sure to ground (earth) the generator .

4. OPERATION

NOTE:

The generator has been shipped without engine oil. Fill with oil or it will not start.

OIL INLET



WARNING:

Before starting the machine, you must check the oil level, or the engine can be damaged !

1) STARTING THE ENGINE

NOTE:

- Before starting the engine, do not connect the electric apparatus to the generator.

1. Turn the fuel cock to “ ON ”.
2. Turn the engine switch to “ ON ”.
3. Turn the choke level to the “ CLOSE ” position. Not necessary if the engine is warm.
4. Pull the starter handle slowly until resistance is felt. This is the compression point. Return the handle to its original position and pull swiftly. Do not fully pull out the rope. After starting allow the starter handle to return to its original position while still holding the handle.

1500 WATT GENERATOR

5. Warm up the engine.
6. Turn the choke level back to the operating position.
7. Warm up the engine without a load for a few minutes.

2) USING ELECTRIC POWER

1. AC PROTECTOR

- (a) Turn off the switch of the electrical appliances before connecting to the generator.
- (b) Insert the plugs of the electrical appliances into the receptacle.

CAUTION:

- Be sure the electric apparatus is turned off before plugging in.
- Be sure the total load is within generator rated output.
- Be sure the socket load current is within socket rated current.

NOTE:

When the circuit breaker no-fuse breaker turns off during operation, the generator is overloaded

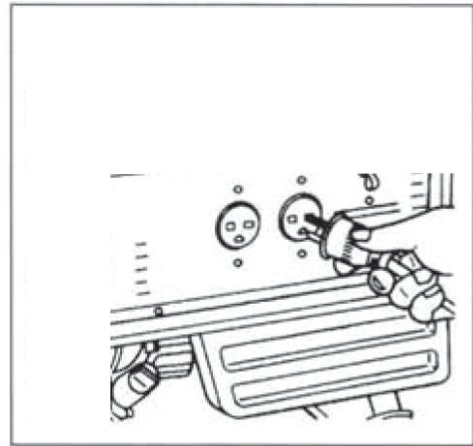
2. BATTERY CHARGING SOCKET (OPTION)

CAUTION:

- (a) This socket may be used for charging 12V/8.3A batteries only.
- (b) When charging, connect the charging cables to the battery terminals and then to the DC battery charging socket of the generator.
- (c) The leads must be connected making sure of the (+) and (-) polarity

3) STOPPING THE ENGINE

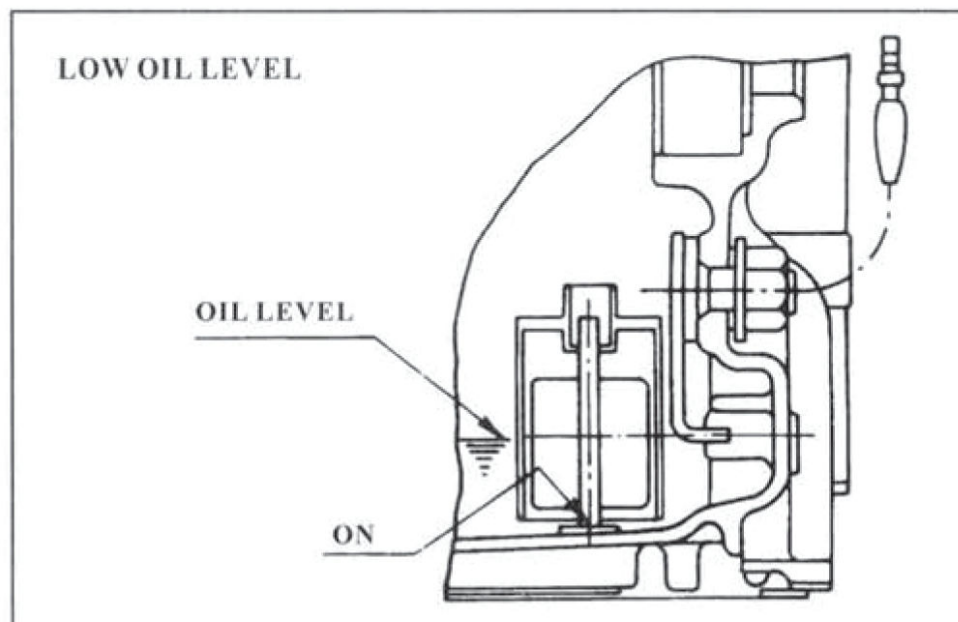
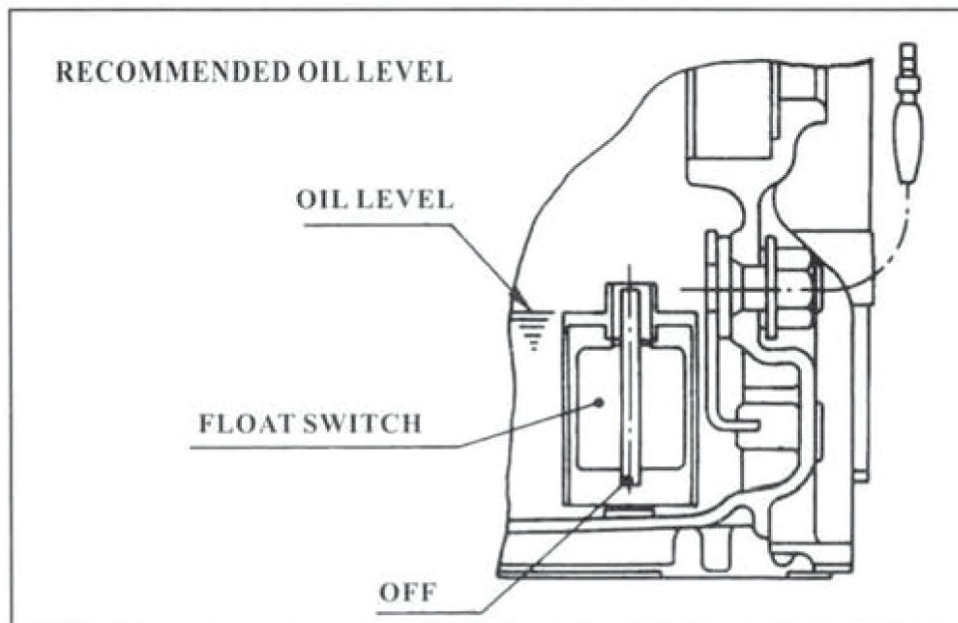
1. Turn off the power switch of the electric apparatus or unplug the cord from receptacle of the generator.
2. Turn the engine switch to "STOP".
3. Turn the fuel cock lever to "OFF".



1500 WATT GENERATOR

5. OIL SENSOR

- The oil sensor detects the fall in oil in the crankcase and automatically stops the engine when the oil level falls down below the safety limit.
- When the engine stops automatically, check the oil level.
- If the engine can not start by usual starting procedures, check the oil level.



1500 WATT GENERATOR

6. PERIODIC MAINTENANCE

1) MAINTENANCE CHART

Regular maintenance is most important for the best performance and safe operation.

ITEM	REGULAR SERVICE PERIOD	First	Every	Every	Every	Every	Annually
		5 Hours	8 Hours or Each use	25 Hours or Annually	50 Hours or Annually	100 Hours	
Engine Oil	Check Level		○				
	Change Oil	○			○		
Air Filter Pre-cleaner	Clean			○			○
	Replace						○
Spark Arrester	Check(w/wout)				○		
Spark Plug	Check-adjust						○
	Replace	After every 300 Hrs.					
Finger Guard	Clean		○				
Sediment Cup	Clean				○		
Area Around Muffler And Controls	Clean		○				
Change Gear Reduction Oil (If equipped)	Change					○	
Valve Clearance	Check-adjust					○	
Idle Speed	Check-adjust					○	
Fuel Tank & Filter	Clean				○		

- Fuel tube should be check or replace every 2 years.
- Combustion chamber should be cleaned by your servicing dealer every 500Hrs.

2) ENGINE OIL REPLACEMENT

1. Place the machine on a level surface and warm up the engine for several minutes. Then stop the engine.
2. Remove the oil filler cap.
3. Place an oil pan under the engine. Remove the oil drain plug so that the oil can be completely drained.
4. Check the oil drain plug, gasket, oil filler cap and O-ring. If damaged replace.
5. Add engine oil to the upper level.
6. Reinstall the oil drain plug.

CAUTION:

BE SURE NO FOREIGN MATERIAL ENTERS THE CRANKCASE.

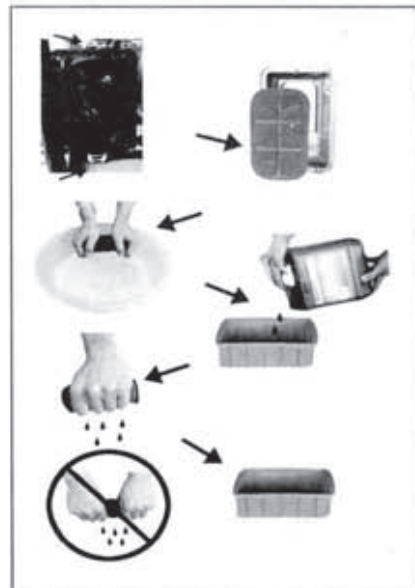
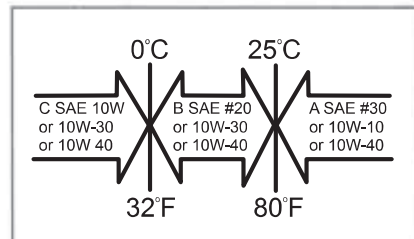
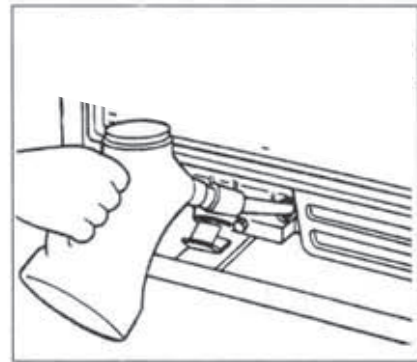
3) AIR FILTER

Maintaining an air cleaner in proper condition is very important.

Dirt induced through improperly installed, improperly serviced or inadequate elements damages and wears out engines.

Keep the element always clean.

1. Take out the air cleaner, clean it well in kerosene and dry it.



1500 WATT GENERATOR

2. After wetting the element by clean engine oil , squeeze it tight by hand.
3. Lastly , put the element in the case and install it securely.

CAUTION:

The engine should never run without the element; excessive piston and/or cylinder may wear.

4) MUFFLER

WARNING:

The engine and muffler will be very hot after the engine has been run. Avoid touching the engine and muffler while they are still hot with any part of your body or clothing during inspection or repair.

1. Remove the muffler from the engine.
2. Clean the carbon deposits out of the muffler using a wire brush.
3. Check the muffler , Replace it if damaged.
4. Install the muffler to the engine.



7. TROUBLE SHOOTING

1) Engine fails to start

1. Fuel system
 - No fuel supplied to combustion chamber.
 - No fuel in tank-Supply fuel
 - Clogged fuel line-Clean fuel line.
 - Foreign matter in fuel cock-Clean fuel or if closed , open it.
 - Clogged carburetor-Clean carburetor

2. Engine oil system Insufficient

- Oil level is low-Add engine oil.

3. Electrical system

Poor spark

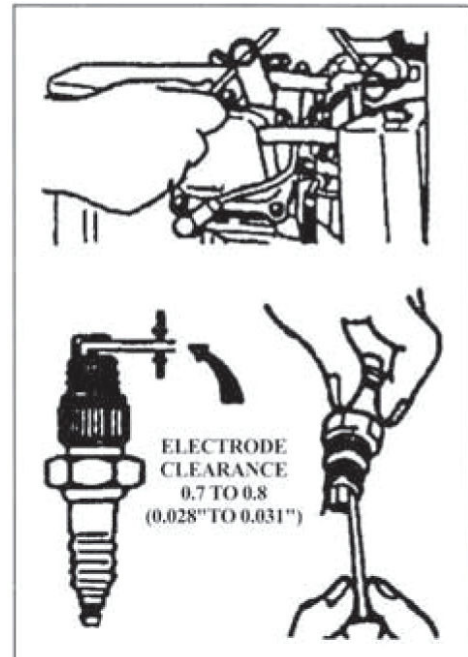
- Spark plug dirty with carbon or wet-
Remove carbon or wipe spark plug dry.
- Faulty ignition system-Consult dealer.

4. Compression insufficient

- Worn out piston and cylinder-Consult dealer.
- Loose cylinder head nuts-Tighten nuts properly
- Damaged gasket-Replace gasket.

5. Choke lever

- If the choke lever is not in proper position, set it to close position.
(After the engine runs , set the choke lever to open position.)



2) No electricity is generated at receptacle

1. AC protector

Check to make sure the AC protector is in the position.

2. Appliance

Check whether the appliance has been connected to the generator when the engine is starting. Disconnect the appliance from receptacle.

3. Control box

Check wire leads in control box for loose connections.

Secure connections if necessary.

1500 WATT GENERATOR

8. STORAGE

1. AC protector

Check to make sure the AC protector is in the position.

2. Appliance

Check whether the appliance has been connected to the generator when the engine is starting. Disconnect the appliance from receptacle.

3. Control box

Check wire leads in control box for loose connections.
Secure connections if necessary.

9. COMPLIANCE

You should get a Certificate of EPA while you purchased the product.

10. SPECIFICATION**AC electrical**

Current Output	120V @ 10A 60Hz
Running watts	1200W
Starting Watts	1500W
Outlet	1-120V receptacles

DC electrical

Current Output	12V @ 8.3A
----------------	------------

Gasoline engine

Type	4-cycle OHV air-cooled recoil start
Displacement	98cc
Oil Capacity	0.42 quart (0.4liter)
EPA Approved	yes

Fuel

Type	Unleaded gasoline
Capacity	1.32 gallons
Running Time	7.5 hours/half load (approx.)

Weight

Approximate Weight	60.0 lbs
--------------------	----------

GASOLINE GENERATOR

11. SYMBOL

symbol	Parts name	symbol	Parts name
ENG.	Engine	OS	Oil senser
SP	Spark plug	SC	Auxiliary winding
FC	Filed winding	V	Voltmeter
MC	AC winding	C	Capacitor
AC BR.	AC circult breaker	ST.MC	Stator winding
DI	rectifier	T.C.I	T.C.1 UNIT
SYMBOL	WIRE COLOUR	SYMBOL	WIRE COLOUR
Y/G	Yellow/green	BR	Brown
Y	Yellow	O	Orange
R	Red	O/G	Orange/Green
B	Black	BL	Blue

Limited Warranty

Green-Power warrants to the original purchaser who uses the product in a consumer application (personal, residential or household usage) that all products covered under this warranty are free from defects in material and workmanship for 2 years (1 year parts and labor following year parts only) from the date of purchase. All products covered by this limited warranty which are used in commercial applications (i.e. income producing) are warranted to be free of defects in material and workmanship for 90 days from the date of original purchase.

Green-Power will repair or replace, at Green-Power sole option, products or components which have failed within the warranty period. Service will be scheduled according to the normal work flow and business hours at the service center location, and the availability of replacement parts. All decisions of Green-Power with regard to this limited warranty shall be final.

This warranty gives you specific legal rights, and you may also have other rights which vary from state to state.

RESPONSIBILITY OF ORIGINAL PURCHASER (initial User):

To process a warranty claim on this product, DO NOT return item to the retailer. The product must be evaluated by an Authorized Warranty Service Center. For the location of the nearest Authorized Warranty Service Center please call specified toll free number.

Retain original cash register sales receipt as proof of purchase for warranty to work.

Use reasonable care in the operation and maintenance of the product as described in the Owner's Manual(s).

Deliver or ship the product to the Authorized Warranty Service Center. Freight costs, if any must be paid by the purchaser.

If the purchaser does not receive satisfactory results from the Authorized Warranty Service Center, the purchaser should contact Green-Power

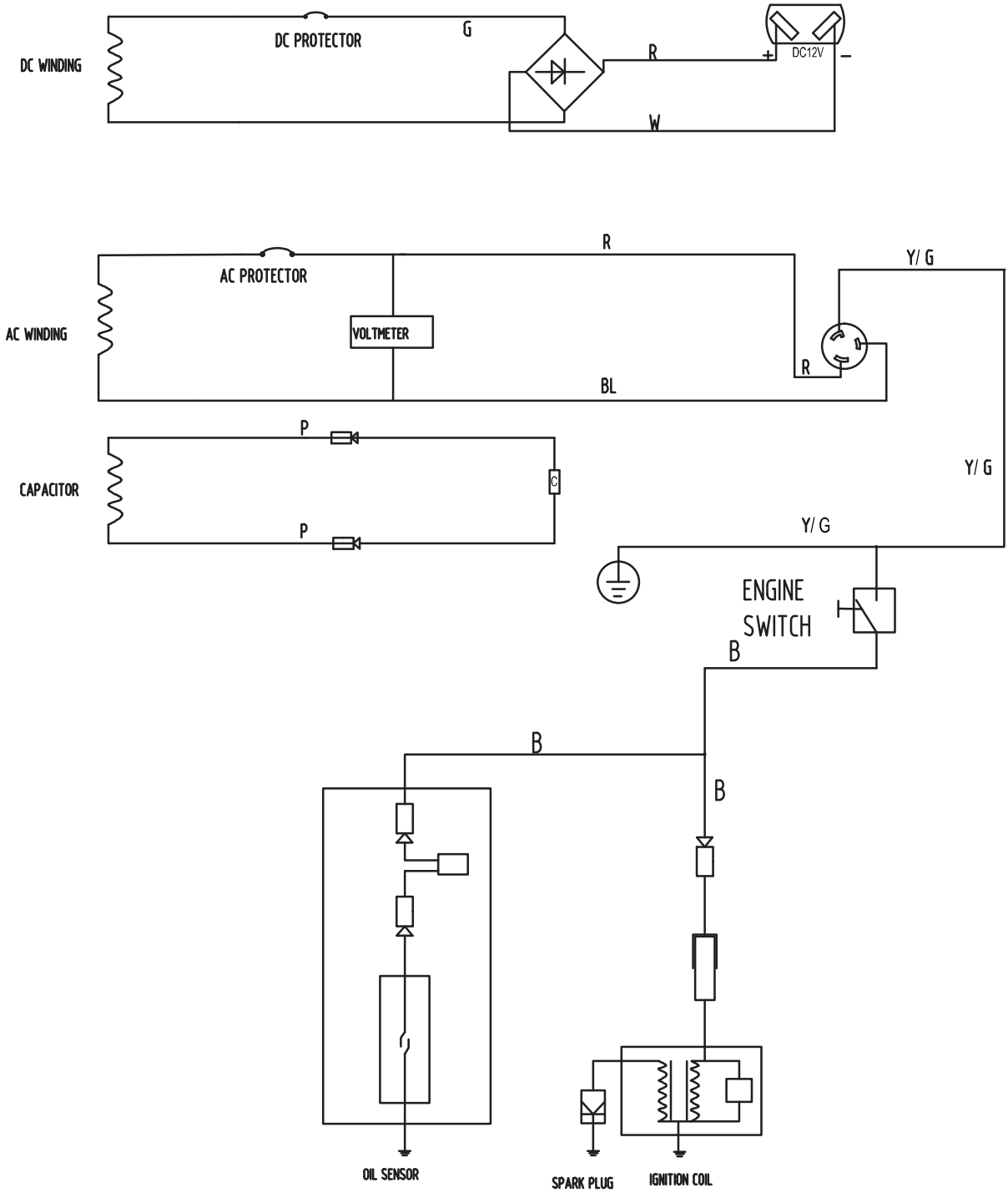
1500 WATT GENERATOR

Limited Warranty (cont'd)

THIS WARRANTY DOES NOT COVER:

- Merchandise sold as reconditioned, used as rental equipment, or floor or display models.
- Merchandise that has become damaged or inoperative because of ordinary wear, misuse, cold, heat, rain, excessive humidity, freeze damage, use of improper chemicals, negligence, accident, failure to operate the product in accordance with the instructions provided in the Owner's Manual(s) supplied with the product, improper maintenance, the use of accessories or attachments not recommended by Green-Power or unauthorized repair or alterations.
- Repair and transportation costs of merchandise determined not to be defective.
- Costs associated with assembly, required oil, adjustments or other installation and start-up costs.
- Expendable parts or accessories supplied with the product which are expected to become inoperative or unusable after a reasonable period of use.(Example: Battery, Spark Plug,Air Filter)
- Merchandise sold by Green-Power which has been manufactured by and identified as the product of another company, such as gasoline engines. The product manufacturer's warranty, if any, will apply.
- ANY INCIDENTAL, INDIRECT OR CONSEQUENTIAL LOSS, DAMAGE, OR EXPENSE THAT MAY RESULT FROM ANY DEFECTS, FAILURE OR MALFUNCTION OF THE PRODUCT IS NOT COVERED BY THIS WARRANTY. Some states do not allow the exclusion, so it may not apply to you.
- IMPLIED WARRANTIES, INCLUDING THOSE OF MERCHANTABILITY OR FITNESS FOR A PARTICULAR PURPOSE, ARE LIMITED TO TWO YEARS FROM THE DATE OF ORIGINAL PURCHASE. Some states do not allow limitations on how long an implied warranty lasts, so the above limitations may not apply to you.

OWNER'S MANUAL



Portable Generator

Parts List

Owner's Manual

General Parts Listing

This list is provided for reference purposes only.
 All repairs and part replacement should be performed by a qualified technician.
 Some parts may not be available as single replacements.

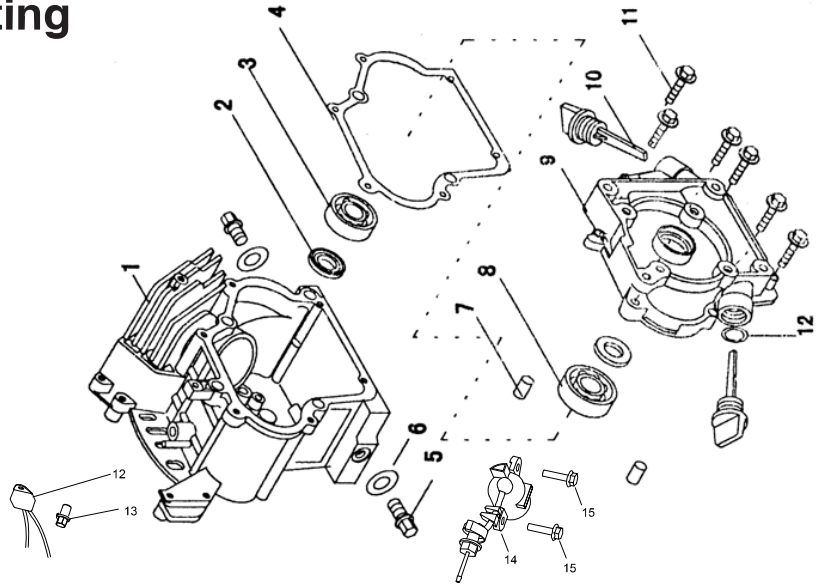


FIG A. CRANKCASE ASSY

GPA Parts No.	LCT Parts No.	Description	Qty.
GPD1500-A-01	PGH20901	Crankcaseassy.	1
GPD1500-A-02	PGH20926	Oil seal	2
GPD1500-A-03	PGH22225	Bearing 6203	1
GPD1500-A-04	PGH26926	Crankcasegasket	1
GPD1500-A-05	PGH40975	Drain bolt	2
GPD1500-A-06	PGH40951	Washer	2
GPD1500-A-07	PGH41000	Dowel pin	2
GPD1500-A-08	PGH22250	Bearing 6303	1
GPD1500-A-09	PGH26850	Crankcase cover	1
GPD1500-A-10	PGH26900	Oil level cap assy.	2
GPD1500-A-11	PGS40009	Flange bolt	6
GPD1500-A-12	PGH14775	OIL ALERT	1
GPD1500-A-13	PGS40019	HEX HEAD FLANGE BOLT M6X12	1
GPD1500-A-14	PGH24750	OIL LEVEL SWITCH ASSY.	1
GPD1500-A-15	PGS40005	HEX HEAD FLANGE BOLT M6X16	1

1500W Generator

General Parts Listing

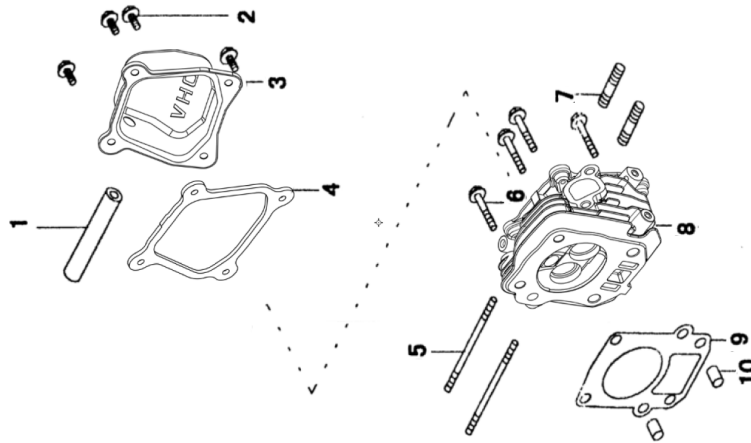


FIG B. CYLINDER HEAD

GPA Parts No.	LCT Parts No.	Description	Qty.
GPD1500-B-01	PGH40781	Pipe	1
GPD1500-B-02	PGS40003	Flange bolt	4
GPD1500-B-03	PGH40653	Head cover comp	1
GPD1500-B-04	PGH40675	Head cover gasket	1
GPD1500-B-05	PGH24175	Bolt M6x88	2
GPD1500-B-06	PGH20050	Flange bolt	4
GPD1500-B-07	PGH42950	Bolt M8x35	2
GPD1500-B-08	PGH20025	Cylinder head assy.	1
GPD1500-B-09	PGH20076	Cylinder head gasket	1
GPD1500-B-10	PGH41000	Dowel pin	2

Owner's Manual

General Parts Listing

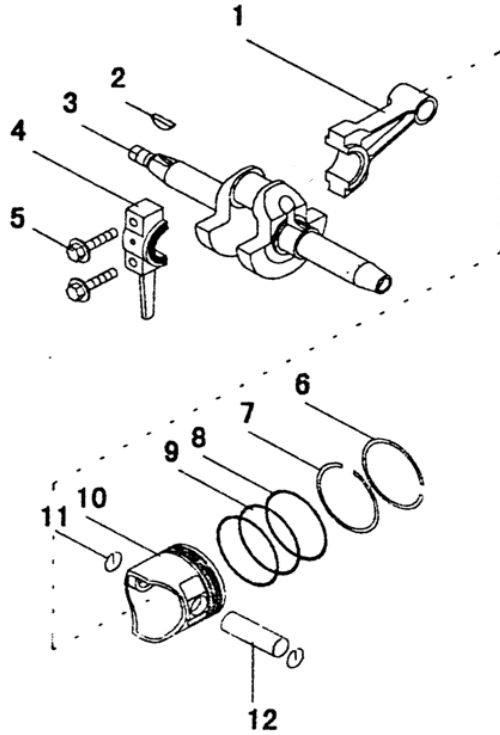


FIG C. CRANKSHAFT PISTON

GPA Parts No.	LCT Parts No.	Description	Qty.
GPD1500-C-01	PGH21500	Connecting rod	1
GPD1500-C-02	PGH22100.2	Semicircle key	1
GPD1500-C-03	PGH22100.1	Crankshaft assy.	1
GPD1500-C-04	PGH21500.2	Connecting rodcover	1
GPD1500-C-05	PGH21500.3	Flange bolt	2
GPD1500-C-06	PGH21325.1	First piston ring	1
GPD1500-C-07	PGH21325.2	Second piston ring	1
GPD1500-C-08	PGH21325.3	Oil ring guide slot	2
GPD1500-C-09	PGH21325.4	Spring	1
GPD1500-C-10	PGH21250	Piston	1
GPD1500-C-11	PGH21300	Piston pin clip	2
GPD1500-C-12	PGH21275	Piston pin	1

1500W Generator

General Parts Listing

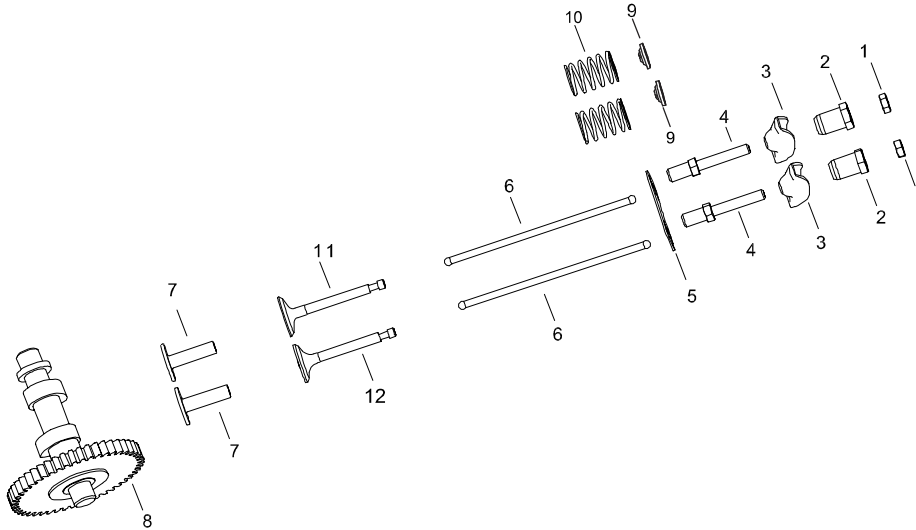


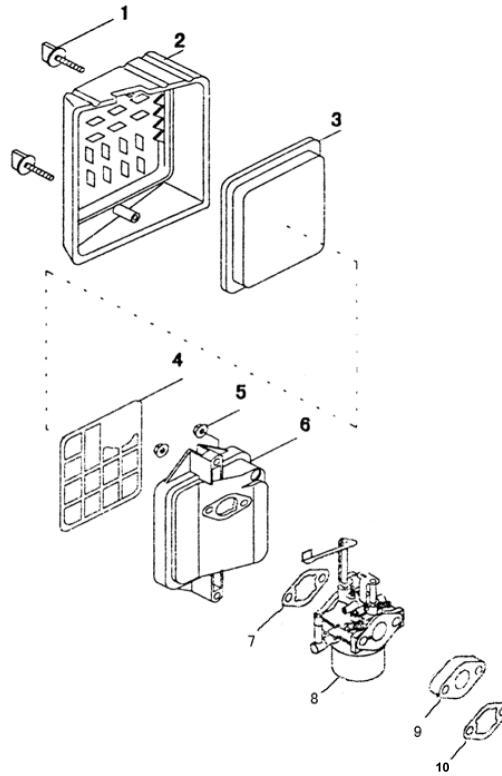
FIG D. CAMSHAFT

GPA Parts No.	LCT Parts No.	Description	Qty
GPD1500-D-01	PGH40525	PIVOT ADJUSTING NUT	2
GPD1500-D-02	PGH20551	ROCKER ARM PIVOT	2
GPD1500-D-03	PGH20508	ROCKER ARM	2
GPD1500-D-04	PGH20475	PIVOT BOLT (M8)	2
GPD1500-D-05	PGH20275	PUSH ROD GUIDE PLATE	1
GPD1500-D-06	PGH20352	PUSH ROD	2
GPD1500-D-07	PGH20326	VALVE LIFTER	2
GPD1500-D-08	PGH21900	CAMSHAFT	1
GPD1500-D-09	PGH20152	VALVE SPRING RETAINER	2
GPD1500-D-10	PGH40100	VALVE SPRING	2
GPD1500-D-11	PGH20125	IN. VALVE	1
GPD1500-D-12	PGH20225	EX. VALVE	1

1500W Generator

General Parts Listing

FIG E. AIR CLEANER



GPA Parts No.	LCT Parts No.	Description	Qty.
GPD1500-E-01	PGH22603.1	Bolt	2
GPD1500-E-02	PGH22603.2	Filter cover	1
GPD1500-E-03	PGH22603.3	Air cleaner element	1
GPD1500-E-04	PGH22603.4	Hold rack	1
GPD1500-E-05	PGS20000	Nut M6	2
GPD1500-E-06	PGH22603.5	Filter seat	1
GPD1500-E-07	PGH24101	Gasket	1
GPD1500-E-08	PGH24050	Carburetor assy.	1
GPD1500-E-09	PGH24150	Carburetor pipe	1
GPD1500-E-10	PGH24126	Gasket	2

Owner's Manual

General Parts Listing

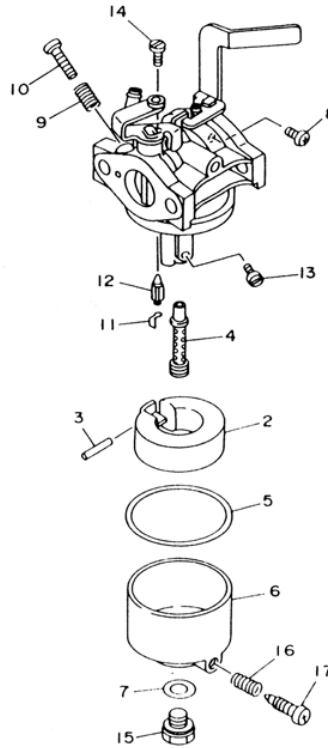


FIG F. CARBURETOR

GPA Parts No.	LCT Parts No.	Description	Qty.
GPD1500-F-01	PGH24050.1	Carburetor assy.	1
GPD1500-F-02	PGH24050.2	Float	1
GPD1500-F-03	PGH24050.3	Float pin	1
GPD1500-F-04	PGH24050.4	Main nozzle	1
GPD1500-F-05	PGH24050.5	Gasket	1
GPD1500-F-06	PGH24050.6	Float chamber body	1
GPD1500-F-07	PGH24050.7	Gasket	1
GPD1500-F-08	PGH24050.8	Bolt	1
GPD1500-F-09	PGH24050.9	Spring	1
GPD1500-F-10	PGH24050.10	Pilot screw	1
GPD1500-F-11	PGH24050.11	Bracket	1
GPD1500-F-12	PGH24050.12	Needle assembly	1

1500W Generator

General Parts Listing

FIG F. CARBURETOR

GPA Parts No.	LCT Parts No.	Description	Qty.
GPD1500-F-13	PGH20450.13	Main jet	1
GPD1500-F-14	PGH20450.14	Pilot jet	1
GPD1500-F-15	PGH20450.15	Bolt	1
GPD1500-F-16	PGH20450.16	Spring	1
GPD1500-F-17	PGH20450.17	Bolt	1

Owner's Manual

General Parts Listing

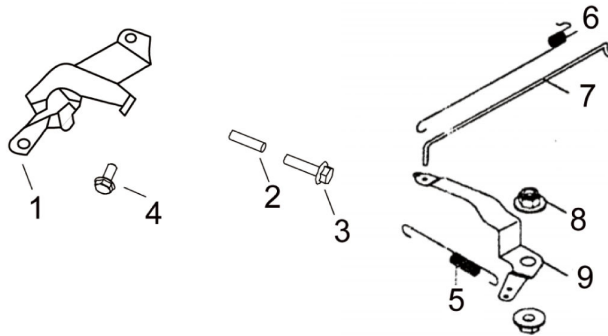
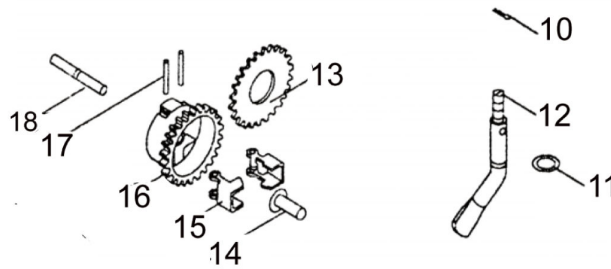


FIG G. GOVERNOR



GPA Parts No.	LCT Parts No.	Description	Qty.
GPD1500-G-01	PGH25076.1	Control base comp	1
GPD1500-G-02	PGH25076.2	Control adjusting spring	1
GPD1500-G-03	PGH25076.3	Pan screw	1
GPD1500-G-04	PGS40000	Flange bolt	2
GPD1500-G-05	PGH25501	Spring	1
GPD1500-G-06	PGH25526	Spring	1
GPD1500-G-07	PGH25450	Link rod	1
GPD1500-G-08	PGS20000	Nut M 6	2
GPD1500-G-09	PGH25576	Governor arm	1
GPD1500-G-10	PGH25625	Lockring	1
GPD1500-G-11	PGH75675	Washer	1

1500W Generator

General Parts Listing

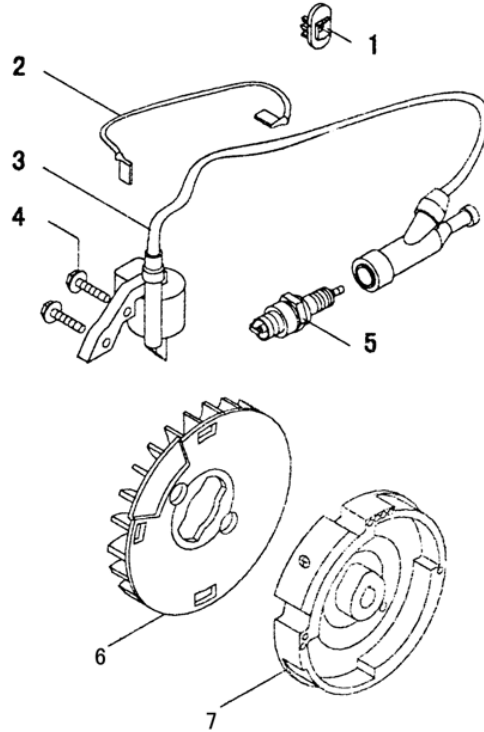
FIG G. GOVERNOR

GPA Parts No.	LCT Parts No.	Description	Qty.
GPD1500-G-12	PGH25650	Governor shaft	1
GPD1500-G-13	PGH22100	Gear	1
GPD1500-G-14	PGH25150	Governor slider	1
GPD1500-G-15	PGH25125.1	Flyweight	2
GPD1500-G-16	PGH25125.2	Adjust speed gear	1
GPD1500-G-17	PGH25125.3	Flywheel shaft	2
GPD1500-G-18	PGH25200	Adjusts peed gear shaft	1

Owner's Manual

General Parts Listing

FIG H. IGNITION FLYWHEEL

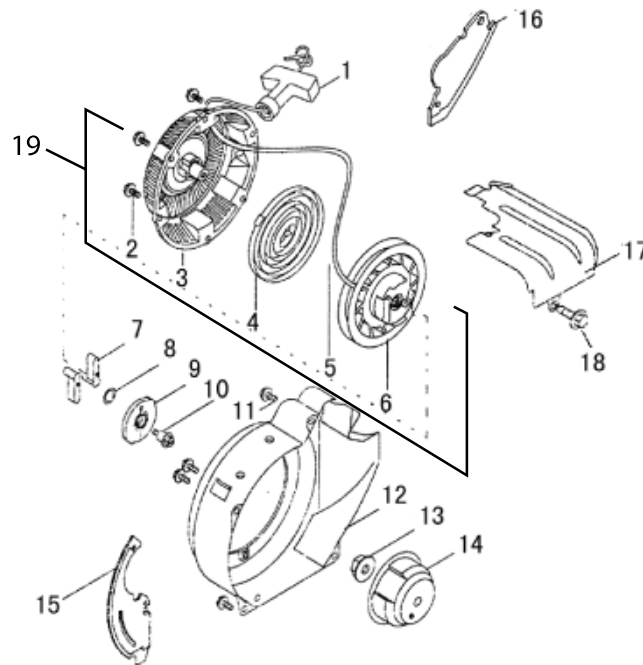


APA Part No.	Part No.	Description	Qty.
GPD1500-H-01	PGH24975.1	String frame	1
GPD1500-H-02	PGH24975.2	Stopping protective wires	1
GPD1500-H-03	PGH24675	Ignition coil assy.	1
GPD1500-H-04	PGS40057	Flange bolt	2
GPD1500-H-05	PGH24725	Spark plug	1
GPD1500-H-06	PGH22500	Fan	1
GPD1500-H-07	PGH22450	Flywheel	1

1500W Generator

General Parts Listing

FIG I. RECOIL STARTER



GPA Parts No.	LCT Parts No.	Description	Qty.
GPD1500-I-01	PGH25958	Handle	1
GPD1500-I-02	PGH26175.2	Bolt	3
GPD1500-I-03	PGH26175.3	Recoil starter case	1
GPD1500-I-04	PGH26175.4	Starter spring	1
GPD1500-I-05	PGH26175.5	Recoil starter rope	1
GPD1500-I-06	PGH26175.6	Drum sheave	1
GPD1500-I-07	PGH26175.7	Drive pawls	2
GPD1500-I-08	PGH26175.8	Clip	1
GPD1500-I-09	PGH26175.9	Drive plate	1
GPD1500-I-10	PGH26175.10	Pin	1
GPD1500-I-11	PGS40003	Bolt	4
GPD1500-I-12	PGH26175.12	Flywheel cover	1
GPD1500-I-13	PGH12475	Nut	1

Owner's Manual

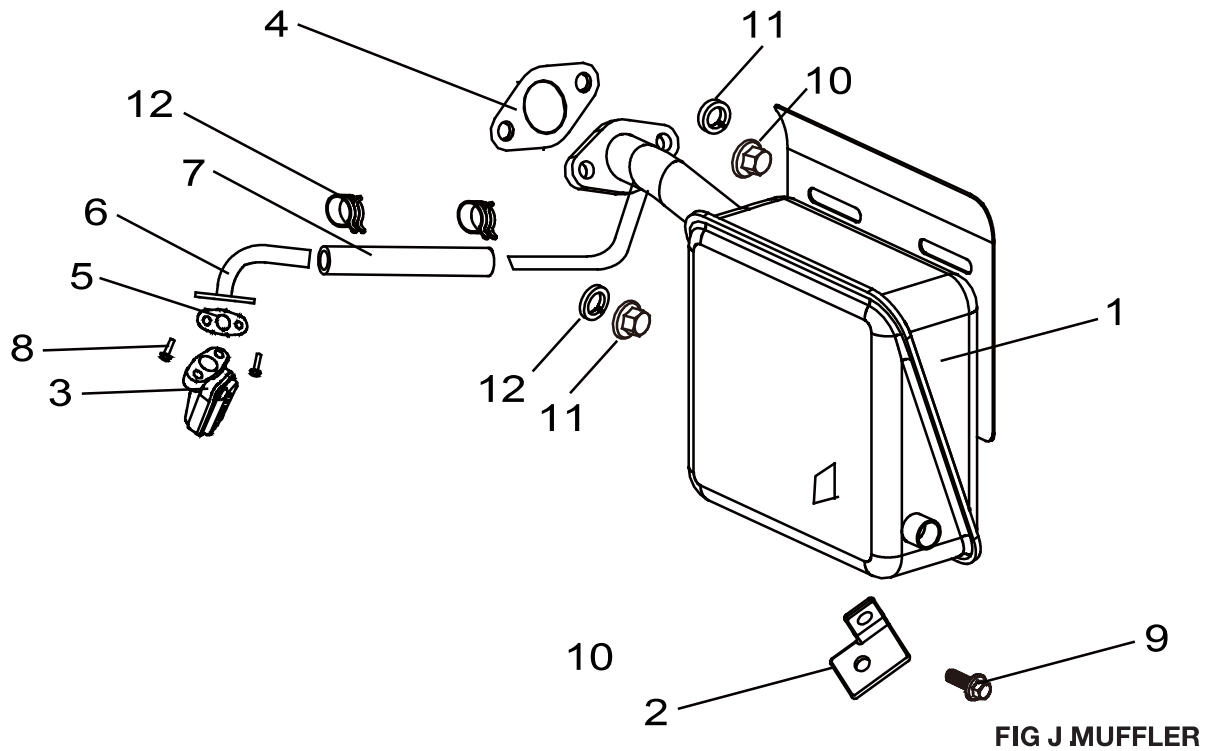
General Parts Listing

FIG I. RECOIL STARTER

GPA Parts No.	LCT Parts No.	Description	Qty.
GPD1500-I-14	PGH26126	Starter pulle	1
GPD1500-I-15	PGH26150	Behind cover	1
GPD1500-I-16	PGH26151	Front cover	1
GPD1500-I-17	PGH26175.14	Air shroud	1
GPD1500-I-18	PGS40003	Bolt	1
GPD1500-I-19	PGH25958	Recoil starter assy	1

1500W Generator

MUFFLER ASSEMBLY

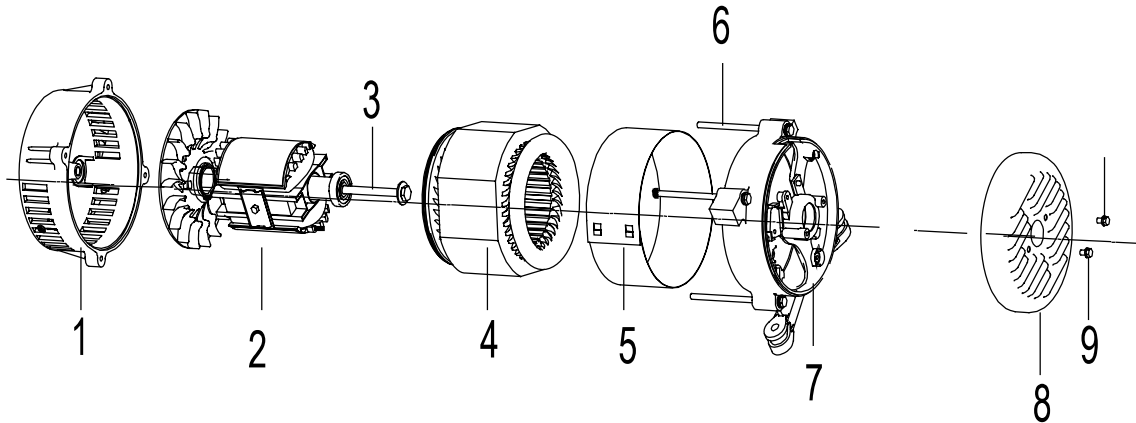


GPA Parts No.	LCT Parts No.	Description	Qty.
GPD1500-J-01	BGG30053	Muffler (w/exhaust manifold)	1
GPD1500-J-02	BGH31000	Muffler bracket	1
GPD1500-J-03	BGH30053.1	Exhaust check valve	1
GPD1500-J-04	BGH22900	Exhaust manifold gasket	1
GPD1500-J-05	BGG30053.2	Check valve gasket	1
GPD1500-J-06	BGG30053.3	Check valve pipe	1
GPD1500-J-07	BGG30801	Air hose (o/o)	1
GPD1500-J-08	BGG30053.4	Hex head flange bolt (m6x12x1.0)	2
GPD1500-J-09	BGS40003	Hex head flange bolt (m6x16x1.0)	1
GPD1500-J-10	BGS10004	Flange nut serrated (m8)	2
GPD1500-J-11	BGS60004	Lock washer (m8)	2
GPD1500-J-12	BGH43583	Hose clamp	2

1500W Generator

General Parts Listing

FIG K. magneto

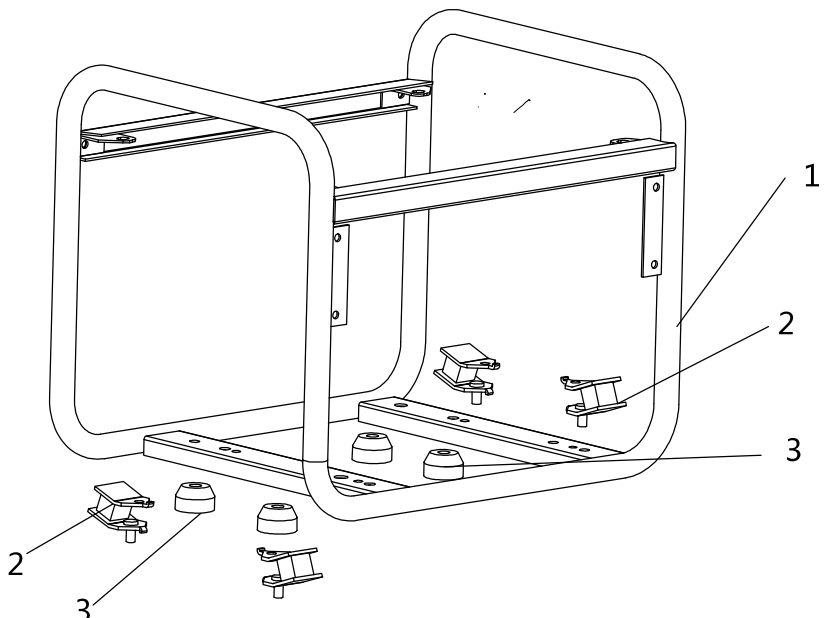


GPA Parts No.	LCT Parts No.	Description	Qty.
GPD1500-K-01	BGG13306	Front cover	1
GPD1500-K-02	BGG10653.1	Rotor	1
GPD1500-K-03	BGG14002	Bolt M8X170	1
GPD1500-K-04	BGG10653.2	Stator	1
GPD1500-K-05	BGG10653.3	Stator	1
GPD1500-K-06	BGG14036	Bolt M6X90	4
GPD1500-K-07	BGG13305	Rear cover	1
GPD1500-K-08	BGG13004	Generator cover	1
GPD1500-K-09	BGS40078	Bolt(M5X12)	2

Owner's Manual

General Parts Listing

FIG L.

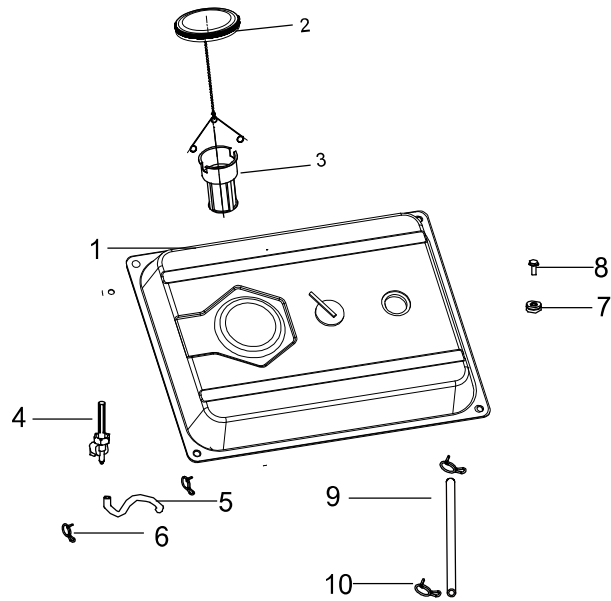


GPA Parts No.	LCT Parts No.	Description	Qty.
GPD1500-L-01	BGG40028	Frame comp.	1
GPD1500-L-02	BGG61000	Shock absorber	4
GPD1500-L-03	BGW30000	Frame Rubber	4

1500W Generator

General Parts Listing

FIG M

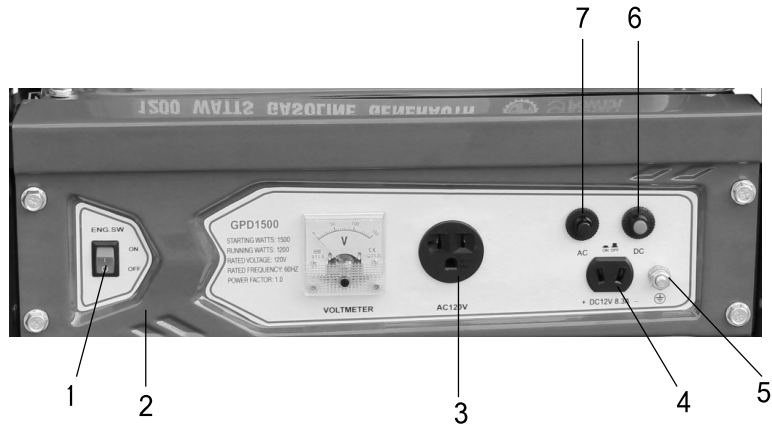


GPA Parts No.	LCT Parts No.	Description	Qty.
GPD1500-M-01	BGG20037.1	Fuel tank comp.	1
GPD1500-M-02	BGG20037.2	Fuel filter cap comp	1
GPD1500-M-03	BGG20037.3	Fuel filter	1
GPD1500-M-04	BGG20001	Fuel valve	1
GPD1500-M-05	BGH63674	Fuel tube A	1
GPD1500-M-06	BGH43582	Tube clip A	2
GPD1500-M-07	BGG20007	Tank cushion rubber	4
GPD1500-M-08	BGS40007	Flange bolt M6X16	4
GPD1500-M-09	BGG20037.4	FUEL TUBE B	1
GPD1500-M-10	BGG20037.5	TUBE CLIP B	2

Owner's Manual

General Parts Listing

FIG N



GPA Parts No.	LCT Parts No.	Description	Qty.
GPD1500-N-01	BGG20037.1	ENGINE SWITCH ASSY	1
GPD1500-N-02	BGG20037.2	CONTROL PANEL COMP.	1
GPD1500-N-03	BGG20037.3	120V RECEPTACLE	1
GPD1500-N-04	BGG20037.4	DC SOCKET	1
GPD1500-N-05	BGG20037.5	EARTH TERMINAL SCREW	1
GPD1500-N-06	BGG20037.6	CIRCUIT PROTECTOR(8A)	1
GPD1500-N-07	BGG20037.7	CIRCUIT PROTECTOR(10A)	1

Distributed by:
Green-Power America, LLC
[www. Green-PowerAmerica.com](http://www.Green-PowerAmerica.com)
All copyright © is reserved by Green-Power America, LLC